



产品规格书



SPECIFICATION FOR APPROVAL

CUSTOMER:

客户代码:

JSAxxxx

PRODUCT NAME:

产品名称:

铁芯马达

PRODUCT TYPE:

产品型号:

xxxx镀镍/锡外壳

CRITICAL DIMENSIONS:

关键尺寸:

CUSTOMER P/N:

客户料号:

JS P/N:

晶赛料号:

拟制 (PREPARED)	审核 (CHECKED)	批准 (APPROVED)

客户确认 (CUSTOMER APPROVAL):

审核 (CHECKED)	批准 (APPROVED)

安徽晶赛科技股份有限公司

ANHUI JINGSAI TECHNOLOGY CO., LTD.

地址: 铜陵市经济技术开发区天门山北道2569号

ADD: No. 2569 Tianmenshan North Road, TongLing Economy & Technology Development District

TEL: 0562-5885515

FAX: 0562-5886359

mail: leiw@tljsjm.cn

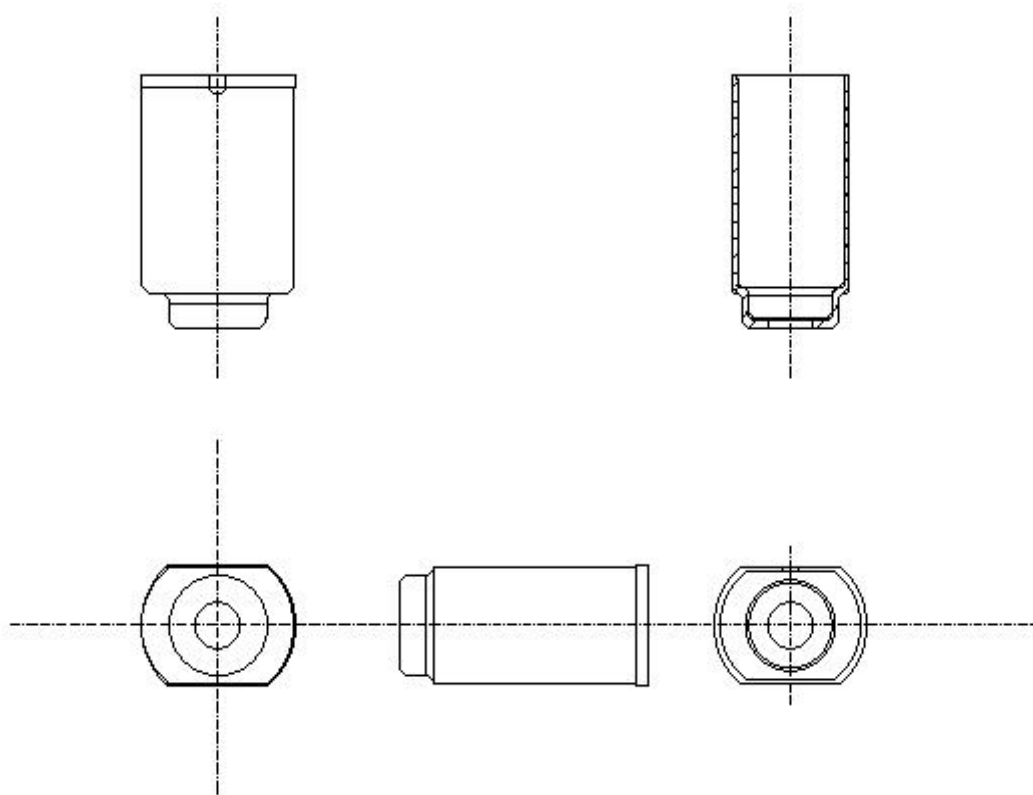
1 适用范围 (SCOPE OF APPLICATION)

本规格书用于规定 (A) 马达外壳。

THE SPECIFICATION CAN BE USED IN (A) MOTOR HOUSING.

(A) 铁芯马达

2 尺寸 (DRAWING)



3 材质 (MATERIAL)

钢, 牌号: SPCE

4 镀层 (COATING)

NiP: 3-4 μm

NiP: 3-4 μm SN: 1-2 μm

5 一般性能 (Normal performance)

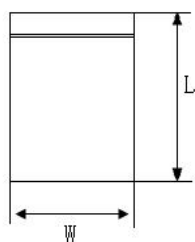
ITEMS		REQUIREMENTS	NOTES
项 目		要 求	备 注
1	外观 Appearance	1. 镀层:光亮、色泽均匀,无暗斑和花纹。 Coating:bright, uniform color, non dark spot and patterns.	10倍放大镜下,目测。 Under the conditions of 10 multiples magnifier, measure by eyes.
		2. 无变形,无毛刺,无拉伤,无划伤,无凹坑等变形。 Non Deformation, side of the mouth hairless puncture, non scratch at the top and pit.	
		3. 无油迹、水迹、无可见尘埃等污染; 无锈蚀。 Non oil and water trails, Non visible dust; Non corrosion.	
2	镀层稳定性 Stability	聚锡: 在加热超过3分钟的电烙铁上放置30秒, 表面锡层不聚集成珠, 成展开平面状。 Tin Coating: Keep on a Soldering Iron(heated over 3 minutes)for 30 seconds, Tin is not gathered into beads, into a plane shape.	不适用 NA
	流胶特性 Gummosis	流胶: 使用点胶机在马达外壳的圆弧内侧中间位置上部点胶, 5分钟以内胶流到马达外壳内腔底部为合格。 Gummosis: Dispensing on the circular arc of the motor inside, glue flow within 5 minutes to the bottom of the motor shell is qualified.	10倍放大镜下,目测。 Under the conditions of 10 multiples magnifier, measure by eyes.
3	推力 Thrust	推力: 轴承推力在3~8kg之间。 Thrust: The thrust of bearing is between 3 to 8 kg.	数显推力计, 目测。 Using the digital display thrust meter, measure by eyes,

6 周期试验(ENVIRONMENTAL TEST)

ITEMS		CONDITIONS	SPECIFICATION
项 目		条 件	规 格
1	盐 雾 salt	35℃时, 在5%的盐雾条件下保存8小时。 At 35 °C, 8 hours preservation in condition of 5% salt.	外观如外观项目外观一致 No significant changes in the appearance

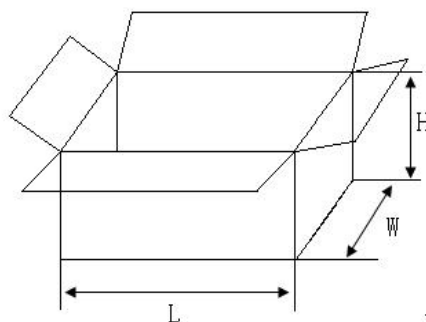
7 包装 (PACKAGE)

● 包装袋 (plastic bag)



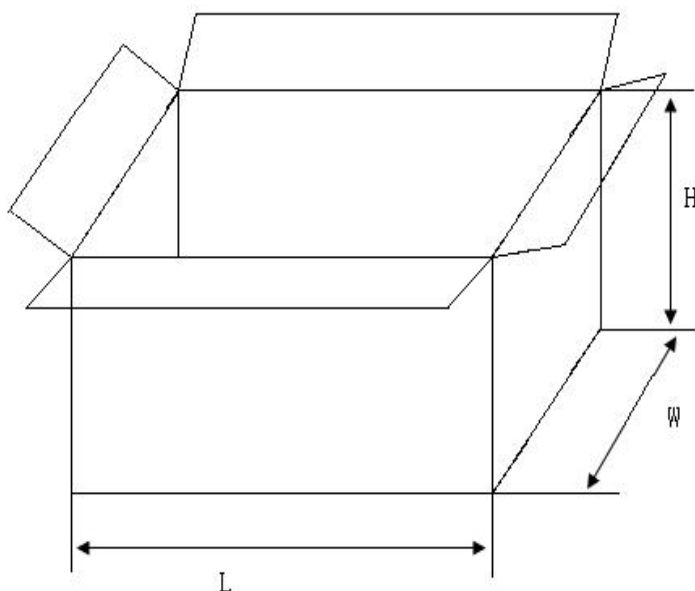
5000pcs/Bag

● 包装盒 (Inner Box)



10Bags/Inner Box

● 包装箱 (Caton)



2 In-Boxer/Caton

● 包装尺寸 (单位: mm) 及数量标准 Package & Quantity

型号 Type	尺寸 Size (L*W*H)	包装数量 Quantity
包装袋 Bags	215*195*0.06	5000pcs
包装盒 Inner Box	370*305*122	50000pcs
包装箱 Caton	390*325*280	100000pcs

● 包装标签内容 Contents of Packaging Labels

- * 产品型号 (HOLDER TYPE)
- * 数量 (QUANTITY)
- * 生产批号 (LOT.)
- * 检验日期日期 (DATE)
- * 检验员 (QUALITY CHECKER)