



产品规格书



SPECIFICATION FOR APPROVAL

CUSTOMER: _____
 客户代码: JSAXxxx
PRODUCT NAME: _____
 产品名称: Cover (外壳)
PRODUCT TYPE: _____
 产品型号: D11
CRITICAL DIMENSIONS: _____
 关键尺寸: H-2.38
CUSTOMER P/N: _____
 客户料号: _____
JS P/N: _____
 晶赛料号: _____

拟制 (PREPARED)	审核 (CHECKED)	批准 (APPROVED)

客户确认 (CUSTOMER APPROVAL) :

审核 (CHECKED)	批准 (APPROVED)

安徽晶赛科技股份有限公司

ANHUI JINGSAI TECHNOLOGY CO., LTD.

地址: 铜陵市经济技术开发区天门山北道2569号

ADD: No. 2569 Tianmenshan North Road, TongLing Economy & Technology Development District

TEL: 0562-5885515

FAX: 0562-5886359

mail: leiw@tljsjm.cn

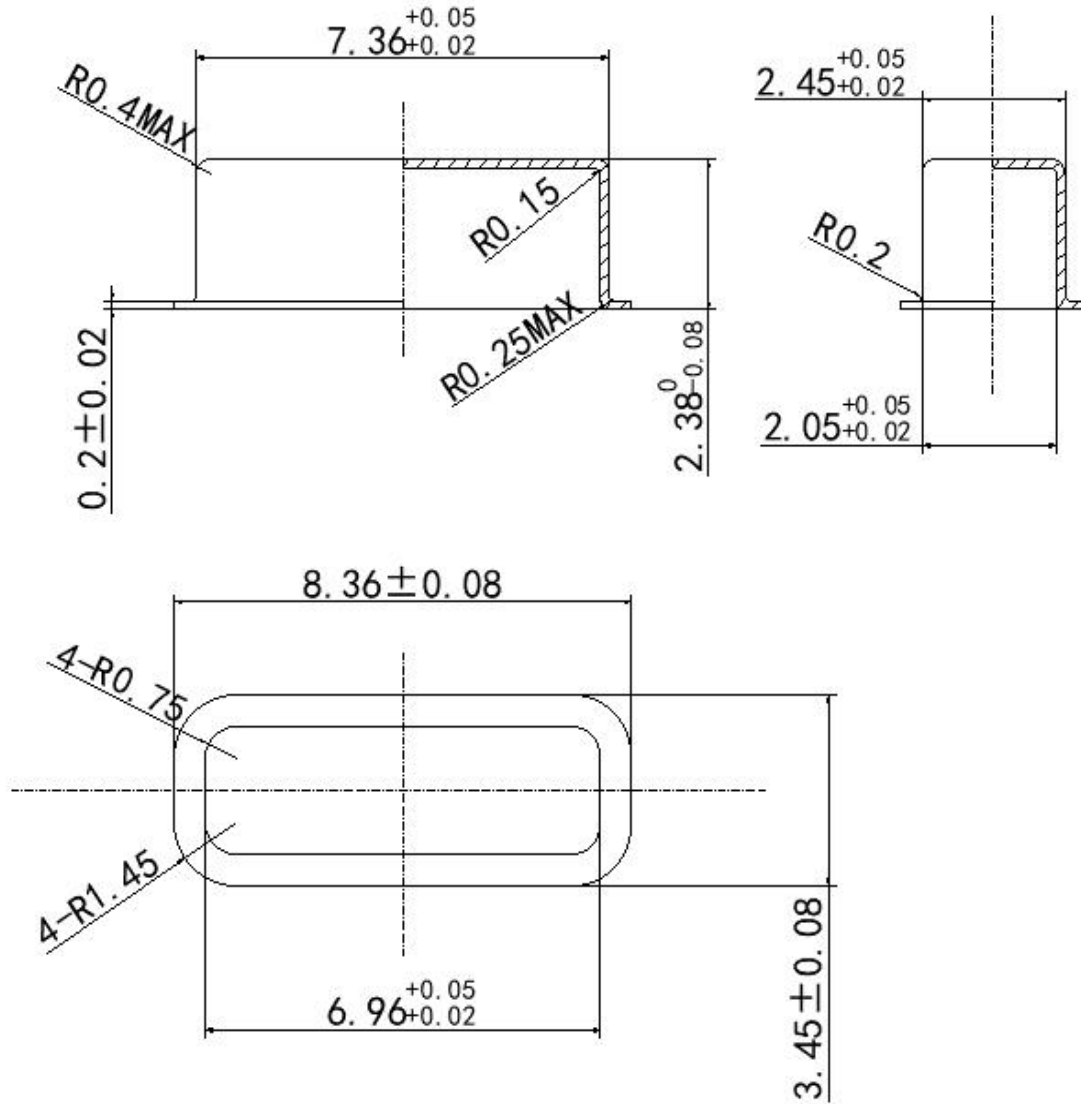
1 适用范围 (SCOPE OF APPLICATION)

本规格书用于规定 (A) 石英晶体谐振器用外壳。

THE SPECIFICATION CAN BE USED IN (A) CRYSTAL UNIT'S COVER.

A: D11

2 尺寸 (DRAWING)



3 材质 (MATERIAL):

锌白铜, 牌号: BZn12-24

4 镀层 (COATING):

电镀亮镍, 厚度 $0.5 \sim 2 \mu\text{M}$

5 一般性能 (Normal performance)

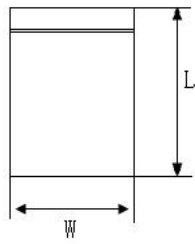
项 目	要求	备注
1 外观 Appearance	1. 镀层:光亮、色泽均匀,无暗斑和花纹。 Coating:bright, uniform color, non dark spot and patterns.	自然光照的条件下,目测。 Under the conditions of natural light, measure by eyes.
	2. 无变形,边口无毛刺,侧面无拉伤,顶部无划伤,无凹坑等变形。 Non Deformation, side of the mouth hairless puncture, non scratch at the top and pit.	
	3. 无油迹、水迹、无可见尘埃等污染;无锈蚀。 Non oil and water trails, Non visible dust; Non corrosion.	
2 密封性 Tightness	1. 正常条件下,贮能式电阻焊封装。 Under normal conditions, packaging by energy storage type resistance welding .	
	2. 密封检查方法:在4~6KG压力的酒精罐中保持10~15分钟取出晾干后,引线与壳体间绝缘电阻值在DC100V条件下,大于或等于500MΩ。 Sealing method:Keep in a alcohol can(4~6KG pressure) about 10~15 minutes, in condition of DC100V, resistance value is greater than or equal to 500MΩ between lead and cover after drying out, .	
3 可标识性 Identification of available	1. 正常条件下,用激光打标机打标,标识应清晰。 Under normal conditions, using Laser Machine to mark, logo should be clear.	
	2. 可适用于激光打标和油墨印字。 Applicable to laser marking and printing ink.	

6 周期试验 (ENVIRONMENTAL TEST)

ITEMS	CONDITIONS	SPECIFICATION
项 目	条 件	规 格
1 盐 雾 salt	35℃时,在5%的盐雾条件下保存16小时。 At 35 °C, 16 hours preservation in condition of 5% salt.	外观无明显变化 No significant changes in the appearance
2 高温贮存 High-temperature storage	125℃温度条件下,洁净环境中保持72小时。 At 125°C, keep 72 hours in clean environment.	外观无明显变化 No significant changes in the appearance
3 低温贮存 Low-temperature storage	-40℃温度条件下,洁净环境中保持72小时。 At -40°C, keep 72 hours in clean environment.	外观无明显变化 No significant changes in the appearance
4 稳态湿热 Steady-state heat	相对湿度90%RH,温度40℃条件下保持72小时。 In condition of 90% relative humidityRH and 40 °C, keep 72 hours.	外观无明显变化 No significant changes in the appearance

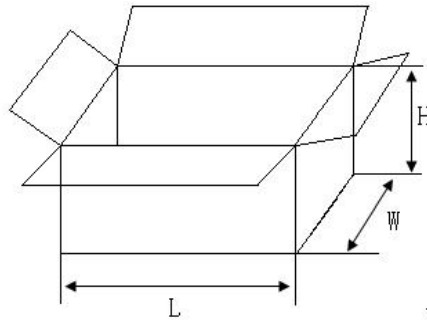
7 包装 (PACKAGE)

● 包装袋 (plastic bag)



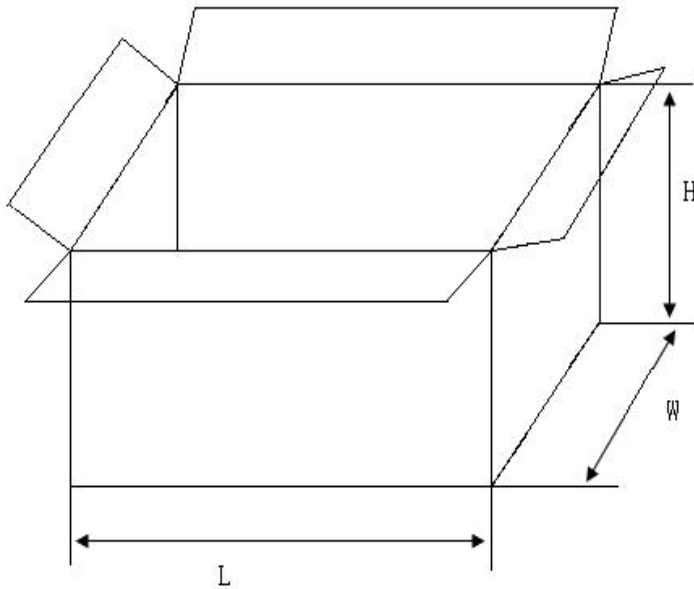
5000pcs/Bag

● 包装盒 (Inner Box)



10Bags/Inner Box

● 包装箱 (Caton)



2 In-Boxer/Caton

● 包装尺寸 (单位: mm) 及数量标准 Package & Quantity

型号 Type	尺寸 Size (L*W*H)	包装数量 Quantity
包装袋 Bags	215*195*0.06	5000pcs
包装盒 Inner Box	370*305*122	50000pcs
包装箱 Caton	390*325*280	100000pcs

● 包装标签内容 Contents of Packaging Labels

- * 产品型号 (HOLDER TYPE)
- * 数量 (QUANTITY)
- * 生产批号 (LOT.)
- * 检验日期日期 (DATE)
- * 检验员 (QUALITY CHECKER)